

AURORALIGHT

PROJECT: _____

SKU #: _____

TYPE: _____

TAOS

RCS110451

The compact Taos pendant light is engineered around Auroralight's interchangeable LED module for brilliant performance in a small package. Ideal for illuminating patios, dining areas, and outdoor countertops.

- Cree LED™ XLAMP® High Density (XHP)
- Thermally Integrated® w/ Copper Core Technology®
- Frosted acrylic shield for diffuse illumination
- Ideal for trees, patios and architectural features

CONFIGURATOR:

RCS110451	LED	FINISH
	<input type="text"/>	<input type="text"/>
	() = Most common configuration	(NAT) Natural Brass
	(2704) 2700K 4W (2706) 2700K 6W (2704) 2700K 4W (3006) 3000K 6W	(BLP) Bronze Living Patina (BLPX) Extra Dark BLP (NI) Nickel PVD

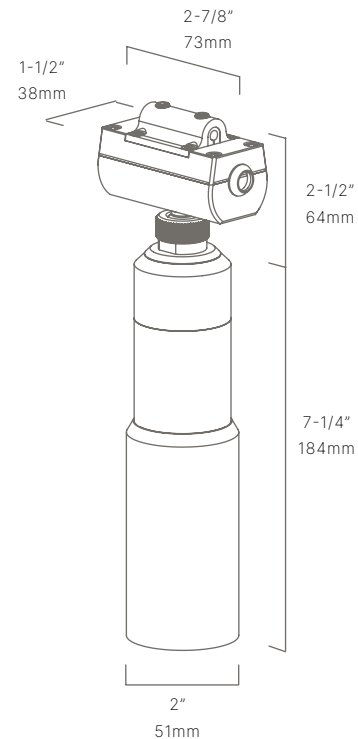


AVAILABLE FINISHES:



FIXTURE DIMENSIONS	L7-1/4" x D2"
LIGHT SOURCE	Included LM11 LED Module
COLOR TEMPERATURES	2700K, 3000K
WATTAGES	6W, 8W, 12W
CRI (RA)	80 CRI
VOLTAGE	12V
DELIVERED LUMENS	345lm (3000K)
DIMMABLE	Yes, Dim to <10% via Transformer
DRIVER	Yes, 12V Integral Constant Current
TRANSFORMER	No, 12V AC/DC Transformer Required
MOUNT	Included J-Box
FINISH	Included Natural Brass
MATERIAL	Brass
LOCATION	Exterior Wet
CERTIFICATIONS	UL, IP66, IP67
HOW TO SPECIFY	Call 760.931.9210

*For complete warranty terms, please visit: www.auroralight.com/warranty/



P. 760.931.2910

O. 2742 Loker Ave. W Carlsbad CA 92010

W. www.auroralight.com

MADE IN USA
WITH DOMESTIC & IMPORTED MATERIALS



AURORALIGHT

PROJECT:

SKU #:

TYPE:

P. 760.931.2910

O. 2742 Loker Ave. W Carlsbad CA 92010

W. www.auroralight.com

MADE IN USA
WITH DOMESTIC & IMPORTED MATERIALS

